

MX3071  
MX3571  
MX4071



THE RENAISSANCE OF COLOUR

## ADVANCED SERIES COLOUR DOCUMENT SYSTEMS



"BLI PaceSetter Award in Ease of Use"  
Enterprise Devices 2018–2019

**SHARP**®

Be Original.

The New Sharp Colour Advanced Series document systems deliver cutting-edge integration and powerful productivity.

## DESIGNED FOR THE TECHNOLOGY-DRIVEN WORKPLACE

advanced

The Sharp MX3071, MX3571 and MX4071 **ADVANCED SERIES COLOUR DOCUMENT SYSTEMS** are built using the **latest technology** available to deliver the **performance, features and reliability** needed in today's busy workplace environments. These new MFPs are also **easy-to-use** and offer **enhanced productivity**, all to provide customers with a **seamless, intuitive experience**, and the **confidence** in knowing their jobs will come out right the first time, every time. The new **Colour Advanced Series** also offers leading-edge security features to **help businesses protect their data** and personal information.

### Key Features

- **EASE OF USE** – Award-winning **touchscreen display** offers a user-friendly graphical interface with simplified Easy Modes, integrated user guides and quick access to network services.
- **PRODUCTIVE FEATURES** – Standard full multifunction capability out-of-box, including copying, network printing and colour network scanning, combines with Sharp's enhanced **Colour Consistency System** for long-lasting high-quality output page-after-page.
- **WORKPLACE FRIENDLY** – Integrates seamlessly with today's complex network environments, and supports popular cloud services and mobile technologies. And with Sharp's new **Application Portal** (coming Spring 2019) administrators can add new apps or update existing apps right from the MFP.

The new **MX3071, MX3571 and MX4071 COLOUR ADVANCED SERIES** offers businesses powerful multitasking features, enabling them to quickly execute the ever-changing workflow tasks of today's busy office environments.

That's the **SHARP DIFFERENCE**.



*"Outstanding Achievement in Innovation"  
for its Web User Interface*

# POWERFUL PERFORMANCE, STRONG PRODUCTIVITY



An advanced design plus multifunctional capability allow you to meet tomorrow's business needs today.

- Standard 150-sheet **duplexing single-pass document feeder** scans documents at speeds up-to 220 images per minute (ipm).
- **Flexible paper handling** supports media up-to 110 lb. cover (300 gsm) and feeds up-to 12" x 18" through the paper trays, allowing users to print on a wide variety of media, including envelopes through the standard paper tray and bypass tray.
- Network-ready **PCL® 6** and **Adobe® PostScript® 3™** printing systems ensure your documents print with the clarity and formatting you expect.
- Easily **convert documents** to popular Microsoft® file formats as well as a variety of PDF formats. You can also direct print these same file types from thumb drives, cloud applications and more. This function is enabled via Qualcomm® DirectOffice™ technology.
- Award-winning 10.1" (diagonally measured) **customizable touchscreen display** with a clean design enables easy access to features and functions when setting up jobs.

EASY-TO-USE

PRODUCTIVE FEATURES

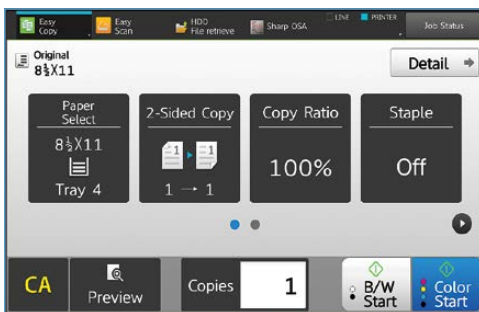
WORKPLACE FRIENDLY



- **Built-in walk-up motion sensor** automatically detects approaching users and immediately wakes the machine, making it ready for use within seconds.
- Standard **wireless networking** feature can connect directly to your network or to mobile devices for convenient scanning and printing with the **Sharpdesk® Mobile App**.
- Access popular cloud services, such as Microsoft® OneDrive™ for Business, SharePoint® Online, Google Drive™, Dropbox and more with Sharp's **Cloud Connect** feature. And with Sharp's new **Application Portal** (coming Spring 2019) administrators can add or update apps right from the MFP.
- Sharp's **Colour Consistency System** delivers high quality colour output and helps maintain optimum image balance and toner density page after page.
- **Multi-layered, leading-edge security features** provide enhanced protection and help businesses stay one step ahead of hackers and malicious network intruders. An End-of-Lease feature can erase all data and personal information at time of trade-in.



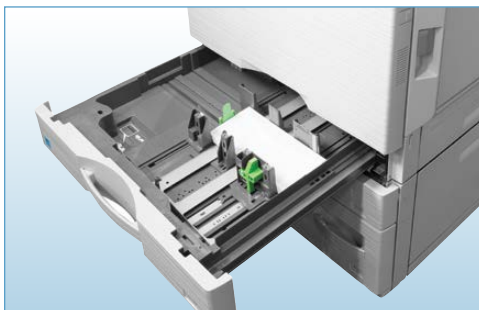
## ENHANCED FUNCTIONALITY – INTUITIVE DESIGN



*Easy Copy Screen offers the most commonly used settings.*



*MX4071 shown in both a compact configuration with inner finisher and full configuration with saddle-stitch finisher and large capacity cassette.*



*Feeds up-to 50 envelopes from the standard paper tray.*

From paper handling to networking, the MX3071, MX3571 and MX4071 Colour Advanced Series will exceed your expectations.

### Simple and Intuitive Operation

From the most basic of copy functions, to the most complex scan jobs, the Colour Advanced Series will perform them with ease and efficiency. Use one of the **Easy Modes** for fast, simple operation, with basic functions displayed in **large, clearly-labeled tiles** and keys. Easy Modes are available for the standard copy and scan functions, as well as for the optional fax expansion kit. And for more advanced features, just touch the “Details” button—it’s that easy.

### The Productivity You Need with the Performance You Want

When it’s time to get the job done, the Advanced Series colour document systems are outstanding performers. Quickly scan documents at speeds up-to **220 ipm**. Then use the **manual stapling feature** on select finishers to restaple your originals. **Multiple finishing options** give you the output you require, be it stacked, stapled, or saddle-stitched. There’s even an available built-in **stapleless finishing** feature, which can bind up-to five sheets of paper by adding a crimp to the corner of the set, saving regular staples for larger sets. These models also feed up-to 50 envelopes from the standard paper tray.\*



\*See specifications for a list of supported envelopes.

# HIGH IMPACT VERSATILITY AND SCALABILITY

The MX3071/3571/4071 Advanced Series colour document systems provide high-performance functionality that easily adapts to your business needs.

# innovative features

## Duplexing Single Pass Feeder (DSPF)

Standard 150-sheet dual head document feeder scans both sides of a document in a single pass, and a built-in indicator light flashes to remind you to take your originals.

## Convenient Wireless Networking

Scanning and printing from mobile devices is made quick and easy with the available Sharpdesk Mobile App.

## Easy-to-Use Smart Touchscreen

Award-winning, tablet-style menu provides quick access to features and functions.

## High-Quality Printing

1,200 x 1,200 dpi resolution produces razor-sharp documents. Adobe PostScript 3 drivers offer extensive job control.

## Built-in Retractable Keyboard

Full-size QWERTY keyboard enables easy data entry.

## Multi-layered Security Features

Leading-edge security features provide enhanced protection of data and personal information and helps protect against network intrusions.

## In-line Stapling

Produce professional-looking corner-staple or edge-staple documents up-to 65 pages.

## Walk-up Motion Sensor

Detects walk-up users and wakes the machine from sleep mode, making it ready for use within seconds.

## Manual Stapler

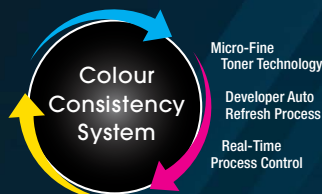
Manual stapling feature makes it easy to re-staple originals after scanning.

## Saddle-Stitch Finishers

Make high-quality booklets up-to 80 pages.

## Easily Access Popular Cloud Applications

With the available Cloud Connect feature, users gain access to Microsoft OneDrive, Google Drive, Dropbox and more. Sharp's new Application Portal (coming Spring 2019) will make it easy for administrators to add or update apps right from the MFP.



Sharp's Colour Consistency System combines Micro-fine Toner with Developer Refresh and advanced Image Refresh Process. These processes help ensure colour output is always at peak performance.

## Advanced Finishing

Sharp gives you a choice of five high-performance finishers to give your documents a professional look. Choose from a compact inner finisher to a high capacity, floor-standing saddle-stitch finisher.

## Flexible Paper Handling

Paper drawers feed up-to 12" x 18" and support media up-to 300 gsm. Also feeds up-to 50 envelopes through the standard paper tray.\* A variety of paper tray options are available, including a large capacity cassette and split tandem paper drawers.

## Large Capacity Cassette

Large capacity cassette option adds an additional 3,000 sheets of paper for a total on-line capacity of up-to 6,300 sheets.

\* See specifications for a list of supported envelopes.



## ENHANCED COLLABORATION FOR STREAMLINED WORKFLOWS

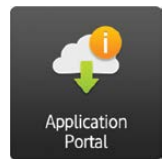


Access popular cloud applications, distribute files and print documents more easily.

### Powerful document workflow solutions help you work more efficiently.

#### Distribute, Access and Print Your Documents with Ease

Sharp makes it easy to go beyond traditional network scanning with standard **Email Connect** and **Cloud Connect** features. With **Email Connect**, scan to email is seamlessly integrated with Microsoft Exchange/Office 365<sup>®</sup> and Gmail<sup>™</sup> user accounts, making it easy to identify the sender of scanned files. With Cloud Connect, users can easily scan-to and print-from **Microsoft OneDrive for Business, SharePoint Online, Google Drive, Box and Dropbox**. And with Sharp's new Application Portal (coming spring 2019), administrators will be able to **easily add new apps** and update existing apps right from the MFP touchscreen panel.



Scan and convert documents to popular file types seamlessly with Sharp's built-in OCR function.

#### Scan and Print Files Easily from Mobile Devices

The Advanced Series colour document systems also make it easy to scan and print files from tablets and smartphones using **Sharpdesk Mobile**, a free downloadable app available for most mobile devices.\* These new models also support popular mobile technologies such as **Apple<sup>®</sup> Airprint<sup>®</sup>, Android<sup>™</sup> print framework and Google Cloud Print<sup>™</sup>**. With standard **wireless networking**, users can also print directly to the MFP from mobile devices without interfering with the corporate network!

#### Simplify Managing Different File Types with Intelligent Image Processing

With standard OCR capabilities, users can easily scan and convert documents to popular file formats including Microsoft Word, PowerPoint and Excel, as well as Searchable PDF, Encrypted PDF and others. You can even directly print these same file types from thumb drives, cloud applications and mobile devices. This function is enabled via Qualcomm DirectOffice technology. These new models also support the new **Adobe Embedded Print Engine**, which direct prints PDF files with greater accuracy and performance.

#### Flexible Printing Solutions Help Maximize Productivity

Standard PCL 6 and Adobe PostScript 3 printing systems to help you speed through all of your output needs. Sharp's **Serverless Print Release** feature enables users to securely print a job and release it from up-to six supported models on your network.\* And with **Google Cloud Print**, you can send print jobs from Chromebook<sup>™</sup> notebook computers, PCs and more from virtually anywhere.



Standard Serverless Print Release enables users to securely print a job and release it from up-to six supported models on the same network.

#### Simplify Complex Business Workflows with Sharp OSA<sup>®</sup> Technology

**Sharp OSA<sup>®</sup> technology** can help your business leverage the power of your network applications, back-end systems and cloud services. Easily automate complex processes and help eliminate redundant tasks. Talk to your authorized Sharp dealer to see how they can help you implement a streamlined workflow solution.



\*Go to [www.sharp.ca](http://www.sharp.ca) for a list of supported equipment and operating systems.

# TAKING CARE OF BUSINESS SAFELY AND SECURELY

## Manage your device, help safeguard your data, help protect your business.

To help protect employees' privacy and intellectual property, the new Colour Advanced Series is armed with leading-edge, **multi-layered security features**, including **Firmware Attack Prevention and Self Recovery**, which can help identify a malicious intrusion and restore the machine firmware to its original state. The new **Whitelisting** feature detects access attempts to the machine file system and denies access if the source data is not on the white list. **Authority Groups** help manage and restrict copying, printing and scanning features to safeguard data and control costs. Administrators can also apply **Active Directory® Group Policy** to the device, which offers centralized configuration and control. **Confidential Printing** helps ensure sensitive documents are kept safe by requiring users to enter a PIN code to print them. These models also support Active Directory user authentication and secure **Single Sign-On**. **Integrated ID card authentication** is also available.\* When you are ready to trade the machine in, a convenient **End-of-Lease** feature can erase all data and personal information, as well as print a confirmation report.



These scalable security offerings aim to **protect your intellectual property**, preserve confidential information and help your business meet regulatory requirements such as the Personal Information Protection and Electronic Documents Act (PIPEDA).

\* Some features require optional equipment and/or software.



With **Sharp Remote Device Manager (SRDM)**, administrators can take control of system features and simplify installation and management. SRDM makes it easy to view service logs, click counts, history reports and more. Event-driven service alerts help monitor the device and maximize uptime. The centrally managed **security dashboard** monitors security settings and can automatically reset the security policy if changed locally at the machine. Also, **Centralized Admin Password Management** and **Centralized Power Management** make it easy to deploy changes when needed. The **Remote Front Panel** feature enables administrators to control the machine's LCD panel from a PC to troubleshoot issues and train operators. Sharp also offers both **built-in** and additional **auditing hardware and software to control, access and track usage** of each device on the network.\* And with **YourSharp™**, you get a dedicated training website customized to your Advanced Series model to help you understand all of the features.

**your** SHARP experience



## ENVIRONMENTAL COMMITMENT



### An Environmentally Responsible Approach to Product Design

Sharp is committed to environmental sustainability and corporate responsibility including: planning, design, manufacturing, distribution and product end-of-life management. Sharp adheres to Green Products Guidelines in pursuit of these commitments. These guidelines include: designing products that consume less power, using recycled materials, reducing the amount of material used in products and packaging, and labeling the type of materials used. Sharp also aims to design products that are upgradable, easy to repair, and easy to take apart for recycling.

The MX3071/3571/4071 document systems are **ENERGY STAR®** qualified and **RoHS** compliant to restrict the use of hazardous substances. These products also have the lowest **TEC** (Typical Electricity Consumption) value among competitive models, at time of this printing. Sharp MFPs are **EPEAT®** registered.



### Toner Recycling Program

As part of our commitment to helping preserve the environment, Sharp offers our customers zero-waste-to-landfill recycling for Sharp consumables, including cartridges, bottles, toner collection containers and drum units. Sharp encourages customers to recycle their used Sharp toner cartridges in bulk by providing a pre-paid Recycling Kit for their return to our facility. Please visit <http://www.sharp.ca/support-toner.aspx> to learn more.

### Environmental Leadership

As a testament to our commitment to the environment, Sharp is a multi-year winner of the **ENERGY STAR®** annual **Excellence in Energy Proficiency Product Design**. Sharp was also a previous recipient of the **Excellence in Partnership Green Contractor Award** and the **Evergreen Award** from the General Services Administration (GSA) and the Coalition for Government Procurement. These awards recognize environmentally responsible businesses and their efforts on recycling, waste reduction and affirmative procurement practices.

For more information about Sharp's environmental leadership including details about energy efficient products, electronics or toner cartridge recycling, please visit <http://www.sharp.ca/about-us-environmental-policy.aspx> to learn more.

# MX3071/M3571/M4071 SPECIFICATIONS

## Main Specifications

<b>MX3071</b>	Base models include: multitasking controller, 150-sheet
<b>MX3571</b>	DSPF, PCL® 6 and Adobe PostScript® 3™ printing systems,
<b>MX4071</b>	network scanning, auto duplexing, 1 x 550-sheet paper
	drawer, 100-sheet bypass tray. Black and colour developer
	is included.
<b>Type</b>	Colour multi-function digital document system
<b>Display</b>	10.1" (diagonally measured) colour dot matrix
	high-resolution touch panel tilting display.
	1,024 x 600 dots (W-SVGA)
<b>Functions</b>	Copy, print, network print, network scan, document
	filing and fax <sup>1</sup>
<b>Copy System</b>	Dry electrostatic transfer/Dual component developer/ Magnetic brush development/OPC drums/Belt fusing/white LED exposure
<b>Originals</b>	Sheets and bound documents
<b>Max. Original Size</b>	11" x 17"
<b>Output Size</b>	Min. 5.5" x 8.5", Max. 12" x 18"
<b>Copy Speed</b>	30/35/40 ppm Mono/Colour (8.5" x 11")
<b>Multiple Copy</b>	Max. 9,999 copies
<b>First Copy Time</b>	Platen Glass: Mono 4.7, Colour 6.7
<b>(In Seconds)<sup>2</sup></b>	DSPF: Mono 7.3, Colour 10.0
<b>Warm Up Time</b>	33 seconds (from main power switch on), 20 seconds (from [Power] button on)
<b>Magnification</b>	25% to 400% in 1% increments (with DSFP 25%-200%)
<b>Original Feed</b>	150-sheet DSFP with original size detection
<b>Scan Speed</b>	Copy: Up-to 220 ipm (Mono)/110 ipm (Colour) Scan: Up-to 220 ipm (Mono/Colour)
<b>Original Sizes</b>	5.5" x 8.5", 8.5" x 11", 8.5" x 11" R, 8.5" x 14", 11" x 17"
<b>Paper Capacity</b>	Standard: 650 Sheets/Maximum: 6,300 Sheets
<b>Paper Feed System</b>	Standard: (1) paper drawer 550 sheets (letter/legal/ledger/ stmt. size) or up-to 50 envelopes (max. height: 25 mm), 100-sheet (or 20 envelope) bypass tray. Optional: Single, double, or triple paper drawer(s) (550, 1,100, or 1,650 sheets), split tandem paper drawers 2,100 sheets (letter) + (1) 550-sheet paper drawer (letter/legal/ledger/ statement size). Paper drawers: 18 lb. bond to 110 lb. cover. Drawer 1: 20-24 lb. bond or Monarch/Com-9 envelopes. Split Tandem Drawers: 18 lb. bond to 28 lb. bond or plain, pre-printed, recycled, pre-punched, letterhead and colour paper. Bypass tray: 16-28 lb. bond (plain paper), 13-16 lb. bond (thin paper), 28 lb. bond-110 lb. cover (heavy paper), tab paper (letter) and Monarch/Com-10 envelopes. Also label, gloss, preprinted, recycled, pre-punched, letterhead and colour paper or OHP film.
<b>Paper Weights and Types</b>	
<b>Duplexing</b>	Standard automatic duplex copying and printing
<b>CPU</b>	Up-to 1.9 GHz multi-processor design
<b>Interface</b>	RJ-45 Ethernet (10/100/1000 Base-T), USB 2.0: 2 host ports (front and rear), 1 device port (rear), wireless 802.11 a/b/g/n
<b>Memory</b>	Standard 5 GB copy/print (shared)
<b>Hard Disk Drive</b>	500 GB
<b>Copy Resolution</b>	Scan: 600 x 600 dpi (Mono/Colour) Output: Up-to 1200 x 1200 dpi (Mono), Up-to 600 x 600 dpi (Colour)
<b>Colour Modes</b>	Auto Colour Selection (ACS), Full Colour Mode, Monochrome (B/W)
<b>Exposure Control</b>	Modes: Automatic, Text, Text/Photo, Text/Printed-Photo, Printed-Photo, Photo, Map, Pale-Colour Document Settings: Auto or 9 step manual
<b>Halftone</b>	256 gradations/2 levels (monochrome)
<b>Copy Features</b>	Scan-Once Print-Many, electronic sorting, offset-stacking, Auto Colour Selection (ACS), Auto Paper Selection (APS), Auto Magnification Selection (AMS), Auto Tray Switching (ATS), black-white reversal, blank page skip, book copy, book divide, card shot, centre erase, centring, cover pages, dual page copy, edge erase, image edit, image preview, insert pages, job build, job programs, margin shift, mirror image, mixed size original, multi-page enlargement, original count, pamphlet style, proof copy, repeat layout, reserve copy, rotated copy, stamp, stamp custom image, suppress background, tab copy, tab-paper insertion, tandem copy, toner save mode, transparency inserts, watermark, 2-in-1 / 4-in-1 / 8-in-1 multi shot

## Main Specifications (continued)

<b>Account Control</b>	Up-to 1,000 users. Supports user-number authentication via local, LDAP and Active Directory for copy, print, scan and document management
<b>Output Tray Capacity</b>	Centre Exit Tray (Main): 250 sheets (face down) Job Separator (Upper Tray): 100 sheets (face down) Right Side Exit Tray: 100 sheets (face down)
<b>Cloud Supported Services</b>	Google Cloud Print, Google Drive, Box, OneDrive for Business, SharePoint Online, Dropbox, Office 365, Gmail
<b>Network Protocols</b>	TCP/IP (IPv4, IPv6, IPsec), HTTP/HTTPS, IPP/IPP-SSL, FTP/FTPS, SNMPv3, SMTP/SMTP-SSL, POP3/POP3-SSL, LDAP/LDAP-SSL, 802.1x for Windows and Unix.
<b>Network and Data Security</b>	Includes: IP/MAC address filtering, protocol filtering, port control, user authentication (local/LDAP/Active Directory), TLS encryption, Kerberos support
<b>Firmware Management</b>	Flash ROM with local (USB), network update capability and firmware update 1 to N with SRDM (Sharp Remote Device Manager)
<b>Device Setup Service/Functions</b>	Web-based management with user/admin level login Remote Front Panel, remote access to service logs and click counts
<b>Accessibility Features</b>	Free stop tilting front panel, adjustment of key touch sound and speed, concave key, document feeder free stop, job programs, remote front panel, universal grip for paper trays, and disable screen timeout
<b>Environmental Standards</b>	International Energy Star Program Ver. 2.0, European RoHS, Blue Angel (RAL-UZ205)
<b>Power Source</b>	110-127 V AC, 60 Hz, 15 A Receptacle
<b>Power Consumption</b>	1.5 kW or less
<b>Weight</b>	Approx. 191 lbs.
<b>Dimensions</b>	Approx. 24" (w) x 26" (d) x 33" (h)
<b>Network Printing System</b>	
<b>PDL</b>	Standard PCL 6, Adobe PostScript 3
<b>Resolution</b>	1200 x 1200 dpi
<b>Print Speed</b>	30/35/40 pages per minute (8.5" x 11")
<b>Print Drivers</b>	Windows® 7, Windows 8.1, Windows 10, Windows Server® 2008, Windows Server 2012, Windows Server 2016, Windows PPD, Mac® OS X® (including 10.6 to 10.13), all Mac PPD, UNIX®, Linux®
<b>Mobile Printing<sup>1</sup></b>	Android printing framework (Sharp Print Service Plugin), Sharpdesk Mobile, Google Cloud Print
<b>Print Features</b>	Auto configuration, serverless print release, chapter inserts, confidential print, continuous printing, custom image registration, document control, document filing, duplex printing, electronic sorting, form overlay, hidden pattern print, image rotation, job bypass print, job retention, layout print, margin shift, multiple pamphlet, network tandem print, N-up printing, offset stacking, page interleave, pamphlet style, poster print, proof print, print and send, tab paper print, tab printing, transparency inserts, tray status, user authentication single sign-on, watermarks, zoom print
<b>Direct Printing</b>	File Types: TIFF, JPEG, PCL, PRN, TXT, and PNG. Optional: PDF, Compact PDF, Encrypted PDF, PS, DOCX, XLSX and PPTX. Methods: FTP, SMB, Web page, Email and USB memory. PDF file formats support the Adobe Embedded Print Engine
<b>Resident Fonts</b>	80 outline fonts (PCL), 139 fonts (PS)
<b>Interface</b>	RJ-45 Ethernet 10/100/1000 Base-T, USB 2.0, Wireless
<b>Operating Systems and Environments</b>	Windows 7, Windows 8, Windows 10, Windows Server 2008, Windows Server 2012, Windows Server 2016, Chrome®, Mac OS X10.6-10.13, Unix®, Linux®, Citrix®, and SAP device types <sup>1</sup>
<b>Printing Protocols</b>	LPR, IPP, IPPS, PAP, Raw TCP (port 9100), FTP, POP3 and HTTP
<b>Network Scanning System</b>	
<b>Scan Modes</b>	Standard: Colour, monochrome, greyscale
<b>Max. Original Size</b>	11" x 17"
<b>Optical Resolution</b>	600 dpi
<b>Output Modes</b>	600 dpi, 400 dpi, 300 dpi, 200 dpi, 150 dpi, 100 dpi
<b>Image Compression</b>	Monochrome Scanning: Uncompressed, G3 (MH), G4 (MR/MMR) Colour/Greyscale: JPEG (high, middle, low) Internet Fax mode: MH/MMR (option) <sup>1</sup>

## Network Scanning System (continued)

<b>Image Formats</b>	Monochrome: TIFF, PDF, PDF/A, Encrypted PDF, XPS, Searchable PDF, DOCX, XLSX, PPTX, TXT, and RTF. Colour/Greyscale: TIFF, JPEG, PDF, PDF/A, Compact PDF, Encrypted PDF, XPS, Searchable PDF, DOCX, XLSX, PPTX, TXT, and RTF. Internet Fax: TIFF-FX, TIFF-F, TIFF-S <sup>1</sup>
<b>Scan Destinations</b>	Email, Desktop, FTP, Folder (SMB), USB, Internet fax (option), Super G3 fax (option)
<b>One-touch Destinations</b>	Up-to 2,000 (combined scan destinations)
<b>Group Destinations</b>	Up-to 500
<b>Programs</b>	48 (combined)
<b>Max. Jobs</b>	Up-to 100
<b>Enhanced Email Integration</b>	Standard Gmail connector, standard Exchange connector
<b>Scanning Protocols</b>	HTTP/HTTPS, FTP/FTPS, SMTP/SMTP-SSL/ESMTP, SMB, POP3, LDAP, S/MIME
<b>Software<sup>1</sup></b>	Sharpdesk personal document management software, Network Scanner tool, Sharpdesk Mobile (download)
<b>Optional Equipment</b>	
<b>MXDE25N</b>	Stand/1 x 550-sheet Paper Drawer
<b>MXDE26N</b>	Stand/2 x 550-sheet Paper Drawers
<b>MXDE27N</b>	Stand/3 x 550-sheet Paper Drawers
<b>MXDE28N</b>	Stand/1 x 550 + 2,100-sheet Split Tandem Paper Drawers
<b>MXLC17N</b>	3,000-sheet Large Capacity Cassette (letter, requires MXDE25N/26N/27N/28N)
<b>MLX110</b>	Long Paper Feeding Tray
<b>MXFN27N</b>	50-sheet Staple Inner Finisher
<b>MXFN28</b>	1K Stacking 50-sheet Staple Finisher
<b>MXFN29</b>	1K Stacking 50-sheet Staple/Saddle-Stitch Finisher
<b>MXFN30</b>	3K Stacking 65-sheet Staple Finisher
<b>MXFN31</b>	3K Stacking 65-sheet Staple/Saddle-Stitch Finisher
<b>MXRB25N</b>	Paper Pass Unit (required for MXFN28/29/30/31)
<b>MXPN14B</b>	3-Hole Punch Unit (requires MXFN27N)
<b>MXPN15B</b>	3-Hole Punch Unit (requires MXFN28/29)
<b>MXPN16B</b>	3-Hole Punch Unit (requires MXFN30/31)
<b>MXSCX1</b>	Staple Cartridge for MXFN27N/28
<b>ARSC2</b>	Saddle-stitch Staple Cartridge for MXFN29
<b>MXSC11</b>	Staple Cartridge for MXFN30/31
<b>MXSC12</b>	Saddle-stitch Staple Cartridge for MXFN31
<b>MXTR19N</b>	Right Side Exit Tray
<b>MXTR20</b>	Job Separator Tray
<b>MXTU16</b>	Centre Exit Tray
<b>MXUT10</b>	Utility Table
<b>MXFX15</b>	Fax Expansion Kit
<b>MXFWX1L</b>	Internet Fax Kit
<b>MXPF10</b>	Bar Code Font Kit
<b>ARSU1</b>	Stamp Unit (requires ARSV1 Stamp Cartridge)
<b>ARSV1</b>	Stamp Cartridge
<b>MXAMX1L</b>	Application Integration Module
<b>MXFR62U</b>	Commercial Data Security Kit
<b>DVENDFSV</b>	Generic Vendor Interface Kit
<b>Supplies</b>	
<b>MX61NTBA</b>	Black Toner Cartridge
<b>MX61NTCA</b>	Cyan Toner Cartridge
<b>MX61NTMA</b>	Magenta Toner Cartridge
<b>MX61NTYA</b>	Yellow Toner Cartridge
<b>MX60NRSA</b>	Drum

<sup>1</sup> Some features require optional equipment. See your local dealer.

<sup>2</sup> May vary depending on product configuration, machine settings and operating and/or environmental conditions.



Design and specifications subject to change without notice. Sharp, Sharp OSA, Sharpdesk, YourSharp, and all related trademarks are trademarks or registered trademarks of Sharp Corporation and/or its affiliated companies. Microsoft, Office 365, Active Directory, Windows, Windows Server, Excel, PowerPoint, OneDrive, and SharePoint are trademarks or registered trademarks of Microsoft Corporation. Android, Chrome, Gmail, Google Drive, Google Cloud Print, and Chromebook are trademarks or registered trademarks of Google LLC. Adobe, the Adobe logo, PostScript, and PostScript 3 are either registered trademarks or trademarks of Adobe in the United States and/or other countries. Qualcomm DirectOffice is a product of Qualcomm Technologies, Inc. and/or its subsidiaries. Qualcomm is a trademark of Qualcomm Incorporated, registered in the United States and other countries. DirectOffice is a trademark of CSR Imaging US, LP, registered in the United States and other countries, used with permission. All other trademarks are the property of their respective owners. ©2018 Sharp Electronics of Canada Ltd.

335 Britannia Road East, Mississauga, ON L4Z 1W9  
150 York Street, Suite 1702, Toronto, ON M5H 3S5  
www.sharp.ca

**SHARP**  
Be Original.