

Lexmark XM5100 Series Monochrome Laser MFP



Model shown features additional options

Versatility and Solutions.



Mono



Duplex
Printing



Solutions



Duplex ADF
single-pass



Security



Up to
70 ppm



7-inch or
10.2-inch
Touch Screen



Fax

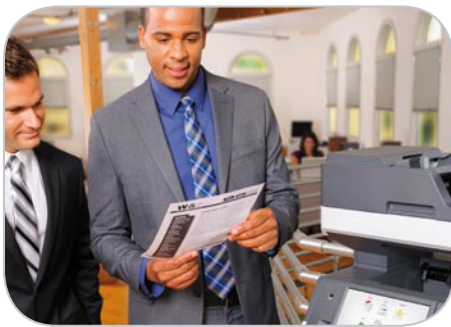


Direct USB
Port

LEXMARKTM



Lexmark XM5100 Series



Why Lexmark.

Founded in 1991 from an IBM heritage in Lexington, Kentucky, Lexmark is focused on delivering tailored solutions to solve the unique challenges businesses face. Lexmark's broad portfolio of high quality products, solutions, and services help improve productivity, increase efficiency and empower employees to perform at their best.



Eco-responsible.

Printing responsibly and reducing the impact of printing on the environment is a win for your business and your budget. Our goal is to design, package and deliver innovative products and solutions that produce high quality output with reliable performance. And at the same time, help you minimize the number of cartridges you use over the life of a printer and conserve paper and energy.

The Lexmark Cartridge Collection Program provides a variety of methods for free returns of your empty cartridges to Lexmark or our collection partners. Program availability and details vary by country.



Environmental protection is a shared responsibility.

Through work with industry groups, Lexmark helps guide the formation of standards and guiding principles for environmental sustainability.

Our memberships include

AeA Europe
Ecma International
Electronics Industry Citizenship Coalition (EICC)
DIGITALEUROPE
Information Technology Industry Council (ITI) Environmental Leadership Council



Lexmark XM5100 Series Overview



Versatility. The Lexmark XM5100 Series is a versatile multifunction system to help your business be more productive. Configure your device with the right features and productivity solutions to simplify your workflow so you can focus more on business.

- Process even the most complex jobs utilizing the 800MHz dual-core processing power and up to 3GB of memory
- Get work done quickly with print speeds up to 70 ppm and produce your first page in as little as 4 seconds
- Produce professional output with a system that delivers consistent image quality on a diverse range of materials
- Instant warm-up fuser helps reduce energy consumption and improve time to first page



Business productivity. The Lexmark XM5100 Series combines exceptional multifunction performance with time-saving applications designed to make you more productive.

- Save time with fast 2-sided color scanning in a single pass and quickly convert hard-copy documents into a digital format
- Advanced copy functions let you interrupt long print runs to make a quick copy and proof the first copy set before completing your copy job
- Scan to multiple destinations, including scan to network, email, FTP, fax, and more
- For higher volume print needs, optional input capacity can be added to keep jobs moving



Easy and intuitive. The Lexmark XM5100 Series is designed for easy operation to allow you to stay focused on customer engagements instead of routine maintenance.

- The easy to navigate 7-inch or 10.2 inch color touch screen provides audible feedback to make tasks intuitive
- Print preview features help you select documents or specific pages within a document
- Extend your environmental responsibility with energy-efficient settings such as the Sleep Button and Hibernate Mode
- Manage your devices with available software



Propel your business forward

Our solutions are designed with your productivity in mind. The Lexmark XM5100 Series platform lets you interact with business applications directly on the device or with a server, on premise or hosted in "the cloud". Reduce unnecessary printing and simplify work processes with Lexmark solutions.

Lexmark XM5100 Series Solutions

Navigate to efficiency. The Lexmark color touch screen is a key access point to your device. The large customizable, 7-inch or 10.2 inch interface gives you the ability to preview thumbnails of documents prior to printing, as well as change print jobs at the device. You can even view, select and print specific pages within a document directly from the touch screen. Its easy-to-use, intuitive navigation provides fast access to the functions and shortcuts.



The following are examples of preloaded solutions on XM5100 Series MFPs.



Multi Send

Capture and route a document to multiple destinations simultaneously and print a copy if you choose. Documents can be routed to email, network folders, or FTP sites.



Forms and Favorites

Eliminate waste and inefficiencies associated with preprinted forms. Store frequently printed forms, marketing materials or other documents online, then print them on demand.



Scan to Network Basic

Scan a hard copy document and route the image to one of 30 predefined or public shared network folders.



Customer Support

This application provides you with an easy way to send information about your device to your authorized dealer or internal help desk.



Device Quotas

Lexmark Device Quotas allows an administrator to configure user level quotas for print, scan, copy, and outbound fax.

Additional Lexmark solutions are available through your authorized Lexmark Business Solutions Dealers.



Lexmark XM5100 Series Vertical Solutions



Professional quality output is only part of the story

By leveraging our industry expertise, you can generate efficiency and increase productivity across business processes to gain the power you need to move ahead. Lexmark technology solutions are tailored to your business environment – where business interactions and decisions are happening.

Empower your employees with workflow solutions that refine work processes, capture critical data, and deliver information to the right place, at the right time, and in the right format.

Contact your Lexmark Business Solutions Dealer for specific vertical solutions*. Solutions are customized through your dealer.

* Optional software available. Licensing fees may apply.



Keep sensitive information and documents secure

Lexmark builds network devices with security in mind to protect your data and documents throughout your entire workflow. Our wide range of security functions include device management, device hardening and device operation.

Device management. Tools include administrative access and passwords, HTTPS, SNMPv3, IP security (IPSec), and 802.1x support to remotely monitor and manage device usage.

Device hardening. Includes port filtering, TCP connection filtering, hard disk encryption, hard disk wiping and digitally signed firmware updates that enhance the security of the device's network interface.

Device operation. Reduce vulnerabilities with authentication and authorization features, address book lookup via LDAP over SSL and device lockout for protection of user information.

Lexmark has shown its strength and leadership with respect to security.

- Forming and chairing the group that created the IEEE 2600 standards for security on hard copy devices.
- Becoming the first hard copy device manufacturer to take a holistic approach with the National Information Assurance Partnership (NIAP) Common Criteria evaluation.

Lexmark XM5100 Series Key Features



XM5163 model with 550-sheet tray, 2100 sheet tray and caster base

Features that help you optimize your work



1) Intuitive color touch screen

Operate your device with ease through smart and intuitive navigation. Receive audible feedback when you use the touch screen.



2) Flexible media handling

Print on a wide range of media with built in 2-sided printing. Add additional input capacity to 3300 pages for higher volume printing needs.



3) Single-pass automatic document feeder

Save time by scanning both sides of your document in one pass with robust color-scanning capabilities and ultrasonic multi-feed detection to prevent jams.



4) Direct USB

The front USB port allows for convenient walk-up preview, and printing and is compatible with most printable image file formats.



5) Lexmark solutions

Reduce unnecessary printing and simplify work processes through solutions applications preloaded on your device. Choose additional Lexmark solutions to fit your unique workflow needs.



6) Lexmark's Unison™ Toner

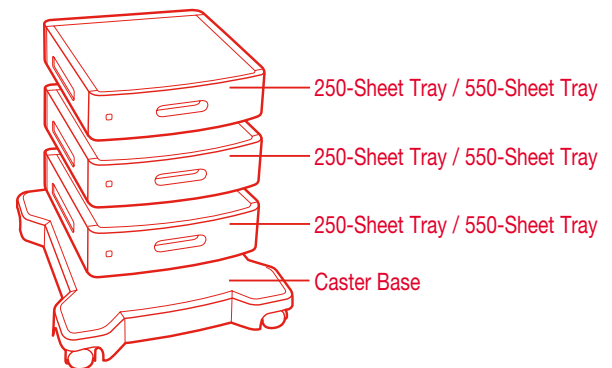
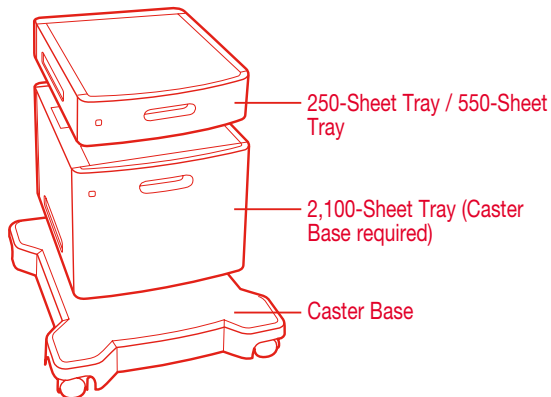
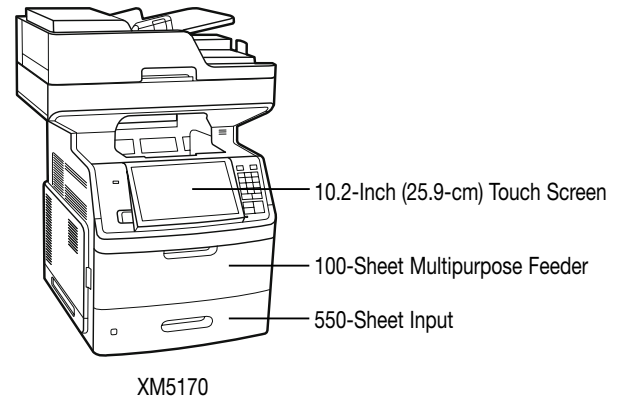
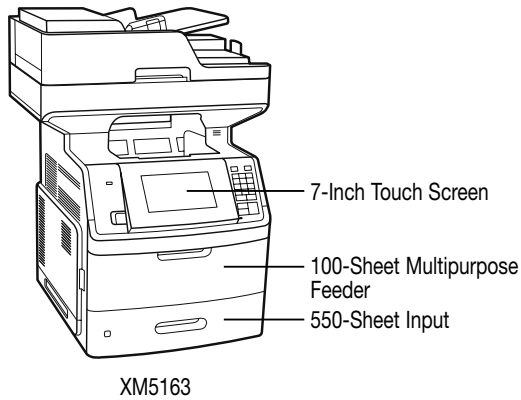
Advanced toner science – powerful enough to deliver consistently outstanding image quality, with a shake free print system.



7) Eco-friendly features

Easy-to-access features like Eco-Mode to reduce paper and toner consumption, Sleep Button and Hibernate Mode make it easy to print responsibly and help you save energy.

Lexmark XM5100 Series Ordering Information



■ Standard

■ Optional

XM5100 Series

Part #	Model
24T8400	Lexmark XM5163
24T8401	Lexmark XM5170
Part #	Laser Toner/Print Cartridge
24B6015	Toner Cartridge
24B6025	Imaging Unit
Part #	Paper Handling
40G0804	2100-Sheet Tray
40G0802	550-Sheet Tray
40G0800	250-Sheet Tray
40G0822	550-Sheet Lockable Tray
40G0820	250-Sheet Lockable Tray
40G0854	4.3 in. (11 cm) Spacer
Part #	Furniture
40G0855	Caster Base
3073173	Swivel Cabinet
Part #	Memory Options
57X9016	1024MBx32 DDR3-DRAM
57X9012	2048MBx32 DDR3-DRAM
57X9101	256MB Flash Memory Card
27X0200	160+ GB Hard Disk

57X9115	Japanese Font Card
57X9114	Korean Font Card
57X9112	Simplified Chinese Font Card
57X9110	Traditional Chinese Font Card
Part #	Application Solutions
24T7352	MX71x, MX81x Card for IPDS
24T7351	MX71x, MX81x Forms and Bar Code Card
24T7353	MX71x, MX81x Card for PRESCRIBE Emulation
Part #	Connectivity
1021294	USB (2 Meter) Cable
27X0225	MarkNet N8350 802.11b/g/n Wireless Print Server
14F0000	Parallel 1284-B Interface Card
14F0100	RS-232C Serial Interface Card
Part #	User Replaceable Parts
40X7706	Roller Maintenance Kit
40X8431	ADF Maintenance Kit
40X8420	Return Program Fuser Maintenance kit, 110-120V Type 00, Letter
40X8424	Return Program Fuser Maintenance kit, 220-240V Type 04, Letter
40X7743	Return Program Fuser, 110-120V Type 00, Letter
40X7734	Return Program Fuser, 220-240V Type 04, Letter
40X8425	Fuser Maintenance kit, 110-120V, Type 05, Letter
40X8016	Fuser, 110-120V Type 05, Letter

Lexmark XM5100 Series Product Specifications



Product specifications	Lexmark XM5163	Lexmark XM5170
Printing		
Display	Lexmark e-Task 7-inch (17.8 cm) colour touch screen	Lexmark e-Task 10.2-inch (25.9 cm) colour touch screen
Print Speed: Up to ⁴	Black: 63 ppm	Black: 70 ppm
Time to First Page: As fast as	Black: 4.4 seconds	Black: 4.0 seconds
Print Resolution	Black: 600 x 600 dpi, 1200 Image Quality, 2400 Image Quality, 1200 x 1200 dpi	
Memory / Processor	Standard: 512 MB / Maximum: 2560 MB / Processor: Dual Core, 800 MHz	Standard: 1024 MB / Maximum: 3072 MB / Processor: Dual Core, 800 MHz
Hard Disk	Option available	
Recommended Monthly Page Volume ²	5000 - 25000 pages	
Maximum Monthly Duty Cycle: Up to ³	275000 pages per month	300000 pages per month
Copying		
Copy Speed: Up to ⁴	Black: 63 cpm	Black: 70 cpm
Time to First Copy: As fast as	Black: 4.2 seconds	Black: 4.0 seconds
Reduce / Enlarge Range	25 - 400%	
Scanning		
Duplex Scan Speed: Up to	A4/Ltr, Black: 70 / 72 sides per minute - A4/Ltr, Colour: 66 / 68 sides per minute	
Simplex Scan Speed: Up to	A4/Ltr, Black: 67 / 70 sides per minute - A4/Ltr, Colour: 67 / 70 sides per minute	
Scanner Type / ADF Scan	Flatbed scanner with ADF / DADF (single pass Duplex) / 150 pages 20 lb or 75 gsm bond	
Optical Scanning Resolution	600 X 600 ppi (black), 300 X 300 dpi (colour)	
Faxing		
Modem Speed	ITU T.30, V.34 Half-Duplex, 33.6 Kbps	
Supplies		
Laser Cartridge Yields	35,000 ¹ -page Extra High Yield Cartridge	
Cartridge(s) Shipping with Product	10,000 ¹ -page Starter Return Program Toner Cartridge	25,000 ¹ -page High Yield Return Program Toner Cartridge
Imaging Unit Estimated Yield: Up to	100000 pages, based on 3 average letter/A4-size pages per print job and ~ 5% coverage	
Paper Handling		
Included Paper Handling	Integrated Duplex, 550-Sheet Output Bin, 100-Sheet Multipurpose Feeder, 550-Sheet Input	Integrated Duplex, 100-Sheet Multipurpose Feeder, 550-Sheet Output Bin, 550-Sheet Input
Optional Paper Handling	550-Sheet Lockable Tray, 550-Sheet Tray, 250-Sheet Tray, 2100-Sheet Tray, 250-Sheet Lockable Tray	550-Sheet Lockable Tray, 2100-Sheet Tray, 250-Sheet Tray, 550-Sheet Tray, 250-Sheet Lockable Tray
Paper Input Capacity: Up to	Standard: 650 pages 20 lb or 75 gsm bond / Maximum: 3300 pages 20 lb or 75 gsm bond	
Paper Output Capacity: Up to	Standard: 550 pages 20 lb or 75 gsm bond / Maximum: 550 pages 20 lb or 75 gsm bond	
Media Types Supported	Refer to the Card Stock & Label Guide, Paper Labels, Integrated Labels, Dual Web Labels, Card Stock, Envelopes, Transparencies, Plain Paper	
Media Sizes Supported	A6, Oficio, Universal, Statement, Folio, DL Envelope, B5 Envelope, A4, 7 3/4 Envelope, 10 Envelope, 9 Envelope, A5, C5 Envelope, Executive, JIS-B5, Legal, Letter	
General		
Standard Ports	Rear USB 2.0 Specification Hi-Speed Certified port (Type A), One Internal Card Slot, Front USB 2.0 Specification Hi-Speed Certified port (Type A), USB 2.0 Specification Hi-Speed Certified (Type B), Gigabit Ethernet (10/100/1000)	
Optional Network Ports / Optional Local Ports	Internal MarkNet N8350 802.11b/g/n Wireless / Internal 1284-B Bidirectional Parallel, Internal RS-232C serial	
Noise Level, Operating	Print: 57 dBA / Copy: 58 dBA / Scan: 57 dBA	Print: 58 dBA / Copy: 58 dBA / Scan: 57 dBA
ENERGY STAR	Yes	
Specified Operating Environment	Altitude: 0 - 2896 Meters (9,500 Feet), Temperature: 16 to 32°C (60 to 90°F), Humidity: 8 to 80% Relative Humidity	
Size (in. - H x W x D) / Weight (lb.)	28.6 x 21.6 x 22.8 in. / 95.4 lb.	

¹ Yield at approximately 5% print coverage. ² "Recommended Monthly Page Volume" is a range of pages that helps customers evaluate Lexmark's product offerings based on the average number of pages customers plan to print on the device each month. Lexmark recommends that the number of pages per month be within the stated range for optimum device performance, based on factors including: supplies replacement intervals, paper loading intervals, speed, and typical customer usage. ³ "Maximum Monthly Duty Cycle" is defined as the maximum number of pages a device could deliver in a month using a multishift operation. This metric provides a comparison of robustness in relation to other Lexmark printers and MFPs. ⁴ Print and copy speeds measured in accordance with ISO/IEC 24734, excludes first set of test documents. For more information see: www.lexmark.com/ISOspeeds.



Unison is a trademark of Lexmark International, Inc. Information in this document is subject to change without notice. ENERGY STAR® is a U.S. registered mark. All other trademarks are the property of their respective owners. Lexmark and Lexmark with the diamond design are trademarks of Lexmark International, Inc., registered in the United States and/or other countries.